

# 2MP 45X Lighthunter IR Network PTZ Dome Camera

IPC6852ER-X45-VF



## Key Features



- High quality image with 2MP,1/1.8" CMOS sensor
- 1920\*1080@60fps in the main stream
- Ultra 265, H.265, H.264, MJPEG
- 45X Optical Zoom
- Smart intrusion prevention, support false alarm filtering, include Cross Line, Intrusion, Enter Area, Leave Area detection
- Face capture, automatic selection of best snapshots, support face detection masked area
- People Counting, support people flow counting and crowd density monitoring, suitable for different statistical scenarios
- Lighthunter technology ensures ultra-high image quality in low illumination environment
- Smart IR, up to 250m (820ft) IR distance
- AC 24V ±25%, DC 24V±25%, PoE++ (IEEE 802.3bt) power supply
- Alarm 7 in and 2 out, Audio 1 in and 1 out
- IP66 ingress protection
- IK10(excluding glass window/wiper)

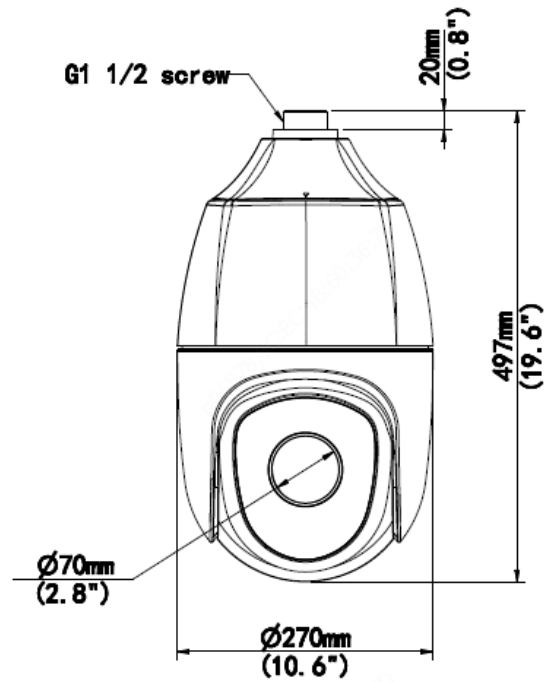
## Specifications

	IPC6852ER-X45-VF				
<b>Camera</b>					
Sensor	1/1.8", 2.0 megapixel, progressive scan, CMOS				
Minimum Illumination	Colour: 0.0005Lux (F1.2, AGC ON) 0Lux with IR				
Day/Night	IR-cut filter with auto switch (ICR)				
Shutter	Auto/Manual, 1 ~ 1/100000s				
WDR	120dB				
S/N	>52dB				
<b>Lens</b>					
Lens type	5.7 ~ 256.5mm, AF automatic focusing and motorized zoom lens				
Digital Zoom	16				
Optical Zoom	45				
Iris	Auto; F1.2 ~ F4.6				
Field of View (H)	59.5° ~ 2.2°				
Field of View (V)	35.6° ~ 1.2°				
Field of View (D)	73.2° ~ 2.6°				
<b>DORI</b>					
DORI Distance	Lens (mm)	Detect (m)	Observe (m)	Recognize (m)	Identify (m)
	5.7	107.2(351.8ft)	42.9(140.7ft)	21.4(70.4ft)	10.7(35.2ft)
	256.5	3330.6(10927.2ft)	1332.2(4370.9ft)	666.1(2185.4ft)	333.1(1092.7ft)
<b>Illuminator</b>					
IR Range	Up to 250m (820 ft) IR range				
Wavelength	850nm				
IR On/Off Control	Auto/Manual				
<b>Video</b>					
Video Compression	Ultra 265, H.265, H.264, MJPEG				
Frame Rate	Main Stream: 2MP (1920*1080), Max 60fps; Sub Stream: 2MP (1920*1080), Max 60fps; Third Stream: D1 (720*576), Max 60fps				
Video Bit Rate	128 Kbps~16 Mbps				
U-code	Support				
ROI	Up to 8 areas				
Video stream	Triple streams				
OSD	Up to 8 OSDs				
Privacy Mask	24 areas, up to 4 areas per scene				
<b>Image</b>					
White Balance	Auto/Outdoor/Fine Tune/Sodium Lamp/Locked/Auto2				
Digital noise reduction	2D/3D DNR				
Flip	Normal/Flip Vertical/Flip Horizontal/180°/90°Clockwise/90°Anti-clockwise				
EIS	Support				
HLC	Support				

BLC	Support
Defog	Optical Defog & Digital Defog
AGC	Support
<b>Intelligent</b>	
Smart Intrusion Prevention	Support false alarm filtering: Cross Line detection, Intrusion detection, Enter Area detection, Leave Area detection
Face Capture	Support; Face attributes: Gender, Age range, Glasses, Mask
People Counting	Support people flow counting and crowd density monitoring
<b>Events</b>	
Basic Detection	Motion detection, Audio detection, Tampering Alarm
Auto Tracking	Support
General Function	Watermark, IP Address Filtering, Alarm input, Alarm output, Access Policy, ARP Protection, RTSP Authentication, User Authentication
<b>Audio</b>	
Audio Compression	G.711U,G.711A
Audio Bitrate	64 Kbps
Two-way audio	Support
Suppression	Support
Sampling Rate	8 kHz
<b>Storage</b>	
Edge Storage	Micro SD, up to 256GB
Network Storage	ANR,NAS(NFS)
<b>Network</b>	
Protocols	IPv4, IGMP, ICMP, ARP, TCP, UDP, DHCP, PPPoE, RTP, RTSP, RTCP, DNS, DDNS, NTP, FTP, UPnP, HTTP, HTTPS, SMTP, 802.1x, SNMP, QoS, RTMP, SSL/TLS
Compatible Integration	ONVIF (Profile S, Profile G, Profile T), API, SDK
User/Host	Up to 32 users. 3 user levels: administrator, operator and common user
Security	Password protection, strong password, HTTPS encryption, Export operation logs, basic and digest authentication for RTSP, digest authentication for HTTP, TLS 1.2, WSSE and digest authentication for ONVIF
Client	EZStation EZView EZLive
Web Browser	Plug-in free live view: Chrome 57.0+, Firefox 58.0+, Edge 16+, Safari 11+
	Plug-in required live view: IE 10 and above, Chrome 45 and above, Firefox 52 and above, Edge 79 and above
<b>Pan &amp; Tilt</b>	
Pan Range	360° (endless)
Pan Speed	0.1°/s ~ 180°/s
	Preset speed: 300°/s
Tilt Range	-15° ~ 90° (auto reverse)
Tilt Speed	0.1°/s ~ 180°/s
	Preset speed: 240°/s
Number of Presets	1024
Preset Patrol	16 patrols, up to 64 presets for each patrol
Route Patrol	16 patrols, up to 32 actions for each patrol
Recorded Patrol	16 patrols, up to 128 actions for each patrol

Patrol Stay Time	15s~1800s
Preset Image Freeze	Support
Home Position	Support
<b>Interface</b>	
Audio I/O	1/1
Alarm I/O	7/2
Serial Port	1 RS485
Built-in Mic	N/A
Built-in Speaker	N/A
WIFI	N/A
Network	1 RJ45 10M/100M Base-TX Ethernet
Video output	N/A
<b>Certification</b>	
EMC	CE-EMC (EN 55032:2015+A11:2020; EN IEC 61000-3-2:2019; EN 61000-3-3:2013+A1:2019; EN 55035:2017+A11:2020) FCC (FCC CFR 47 part15 B, ANSI C63.4-2014)
Safety	CE LVD (EN 62368-1:2014+A11:2017) CB (IEC 62368-1:2014) UL (UL 62368-1, 2nd Ed., Issue Date: 2014-12-01)
Environment	CE-ROHS (2011/65/EU;(EU)2015/863)
Protection	IP66 (IEC 60529:1989+AMD1:1999+AMD2:2013) IK10 (IEC 62262:2002) (excluding glass window/wiper)
<b>General</b>	
Power	AC 24V ±25%, DC 24V±25%, PoE++ (IEEE 802.3bt)
	Power consumption: Max 61W
Power Interface	Wires with cold-pressed terminal
Dimensions (Ø x H)	Φ270 x 497mm (Φ10.6" x 19.6")
Weight	10.3kg(22.66lb)
Working Environment	-40°C ~ 70°C (-40°F ~ 158°F), Humidity: ≤95% RH (non-condensing)
Storage Environment	-40°C ~ 70°C (-40°F ~ 158°F), Humidity: ≤95% RH (non-condensing)
Surge Protection	6KV
Reset Button	Support

## Dimensions



## Accessories

TR-UF45-A-IN  
Pendent Mount



TR-SE45-A-IN  
Pendent Mount



TR-SE45-IN  
Pendent Mount



TR-CE45-IN  
Pendent Mount



TR-JB12-IN  
Junction Box



TR-WE45-A-IN  
Wall Mount



TR-WE45-B-IN  
Wall Mount


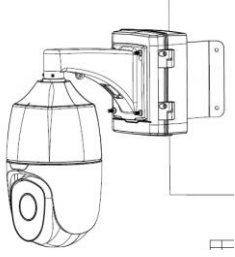
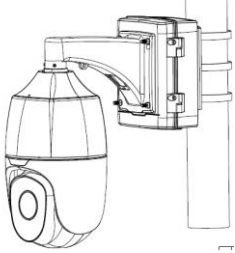


TR-UP08-A/B-IN  
Pole Mount



TR-UC08-A/B-IN  
Corner Mount



Pendent Mount	Wall Mount
TR-UF45-A-IN + TR-SE45-A-IN/TR-SE45-IN; TR-CE45-IN;	TR-WE45-A-IN/TR-WE45-B-IN + TR-JB12-IN + TR-UC08-A/B-IN
	
Pole Mount	/
TR-WE45-A-IN/TR-WE45-B-IN + TR-JB12-IN + TR-UP08-A/B-IN	/
	/

**Zhejiang Uniview Technologies Co., Ltd.**

Building No.10, Wanlun Science Park, Jiangling Road 88, Binjiang District, Hangzhou, Zhejiang, China (310051)

 Email: [overseasbusiness@uniview.com](mailto:overseasbusiness@uniview.com); [globalsupport@uniview.com](mailto:globalsupport@uniview.com)
<http://www.uniview.com>

©2022 Zhejiang Uniview Technologies Co., Ltd. All rights reserved.

\*Product specifications and availability are subject to change without notice.